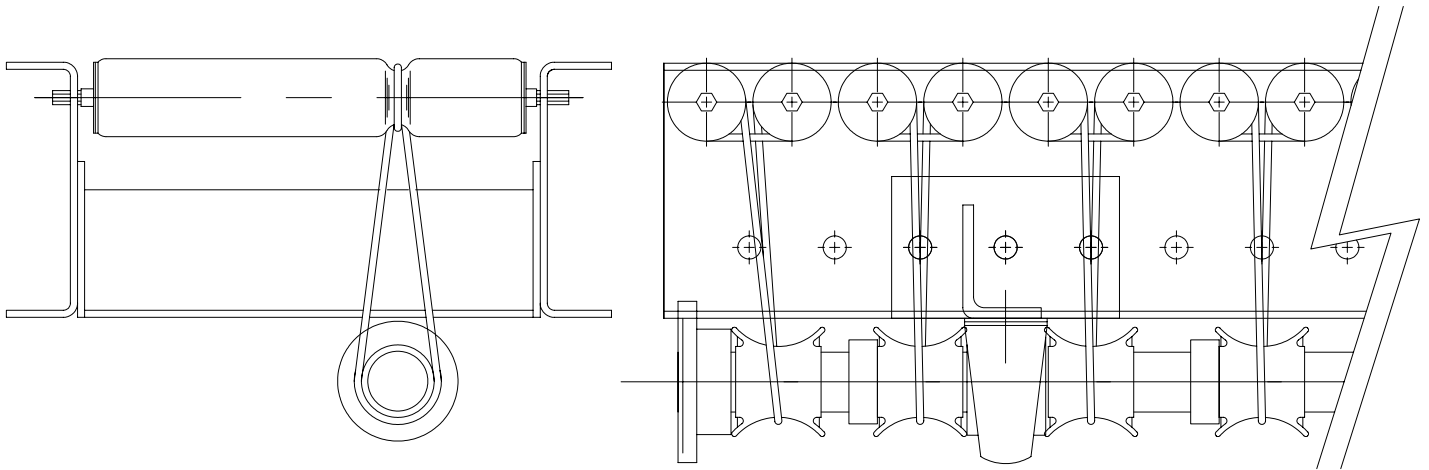




METZGAR
CONVEYORS

438 Series Lineshaft Driven Live Roller Drive Belt Installation for 1-1/2" Roller Centers



Product flow on the above system is from right to left.

The Belt comes up from the spool and between the rollers.

The belt goes over the first roller, between the vertical belt pieces and around the second roller.

The Belt then goes between the two spools and down to the spool.

Installation Instructions:

Install the first roller taking special note of the direction the belt is wrapped around the roller.

Take the second roller and place the groove end thru the slack portion of the belt from the lineshaft side of the conveyor frame.

Rotate the roller 180 degrees counter clockwise and place the hex axle in the side frame.

Compress the spring in the roller and place the non-grooved end in the far side conveyor frame.

The belt should now look like the drawing shown above.